

To: ME486C-001 Dr. Oman

From: Team 19F05: Anevas Tech. Portable Bench

Memo: Hardware Review

Date: Thursday, February 6, 2020



After meeting with our client, Dr. Becker, our team made some changes to the design of the bench. The tabletop will now be made of Formica and no longer have a polycarbonate workspace. Wedges are attached to the tabletop to support the clean room hood. The metal frame for the bench now has steel supports for the air filter to be stored under the tabletop. The wheels and casters are now finalized and added to the CAD. Our team has reached out to Dr. Becker about these design changes and is waiting for approval to order components of the bench to begin manufacturing.

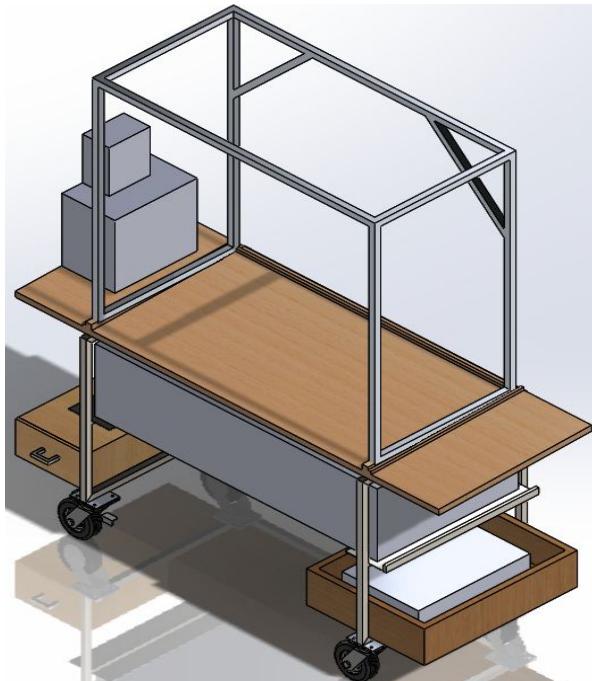


Figure 1: Full assembly

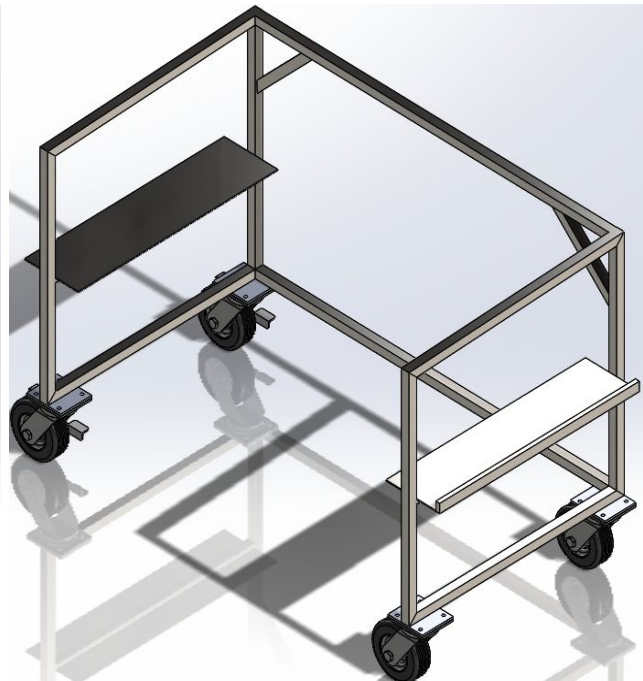


Figure 2: Steel frame